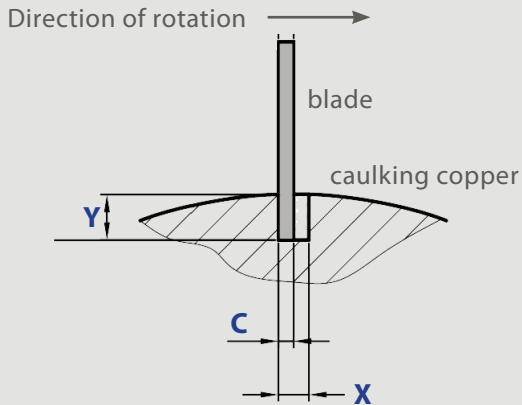


CAULKING COPPER

Please complete



groove width **X**

groove depth **Y**

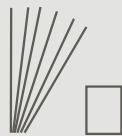
blade thickness **C**

CALCULATE THE RIGHT COPPER DIMENSIONS

RECTANGULAR



rolled up



strips

DIMENSIONS

copper height

Y + 2 mm =

copper width

X - **C** (+ 0,1 mm if necessary) =

CONICAL SHAPE



strips

DIMENSIONS

copper height

Y + 2 mm =

copper width top

X - **C** (+ 0,1 mm if necessary) + 0,2 mm =

copper width bottom

X - **C** (+ 0,1 mm if necessary) - 0,2 mm =

VOLUME REQUESTED

CAULKING COPPER

rectangular (rolled up) kg min 50 kg / roll

rectangular (strips) 1m length kg or pcs

conical shape (strips) 1m length kg or pcs

COMMENT