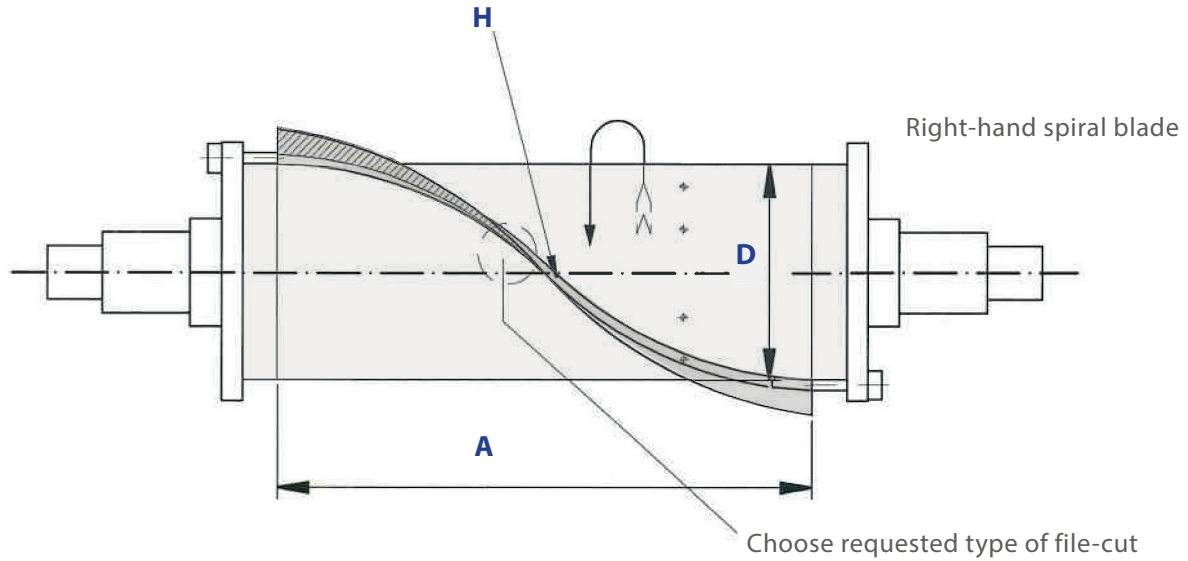


CONCAVE SPIRAL BLADES (KSP)

Please complete



TECHNICAL INFORMATION

MACHINE

Machine maker

Type / No.

CYLINDER

Working width **A**

Diameter \varnothing **D**

BLADE

Serial no. **H**

File-Cuts

no **OH 00**



yes



Thickness of blade

C 1,5 mm

C 2,0 mm

File-Cuts per cm

AH 13 **AH 15** **AH 18**

AH 9 **AH 11**

VOLUME REQUESTED

BLADE

Right-hand wound **RW** pcs

Left-hand wound **LW** pcs

COMMENT