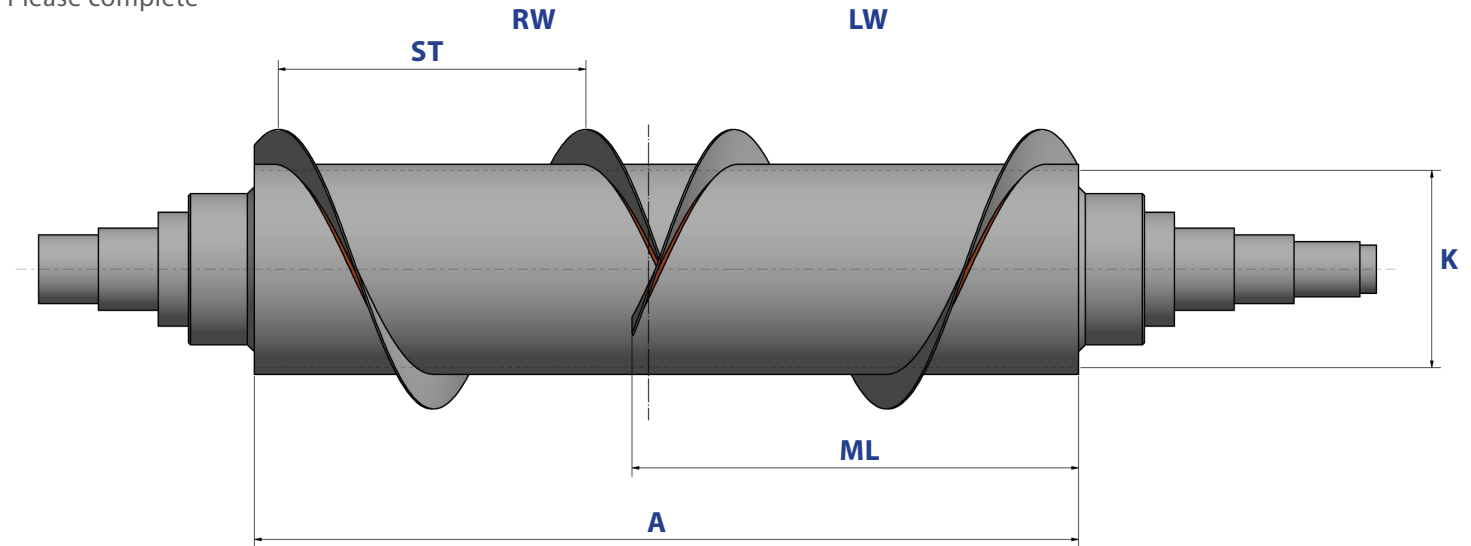


FLESHING BLADE

Please complete



TECHNICAL INFORMATION

MACHINE

Machine maker

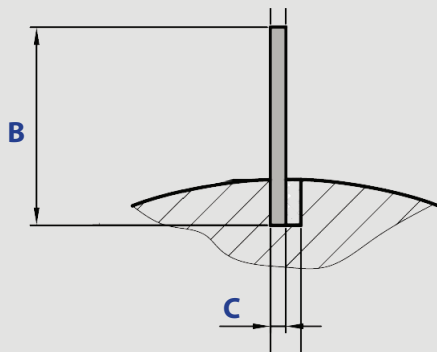
Type / No.

CYLINDER

Working Width **A** mm

Ø at bottom of grooves **K** mm

Direction of rotation →



BLADE

Length of blade **ML** mm

Pitch **ST** mm

Height of blade **B** mm

Thickness at bottom of blade **C** mm

VOLUME REQUESTED

FLESHING BLADE

AVAILABLE DIMENSIONS HEIGHT (B) AND THICKNESS (C)

EGS	32 x 2,4 mm <input type="checkbox"/>	35 x 2,6 mm <input type="checkbox"/>	35 x 3,0 mm <input type="checkbox"/>	
EA	32 x 2,4 mm <input type="checkbox"/>	35 x 2,6 mm <input type="checkbox"/>	35 x 3,0 mm <input type="checkbox"/>	
EXCALIBUR	32 x 2,4 mm <input type="checkbox"/>	35 x 2,6 mm <input type="checkbox"/>	35 x 3,0 mm <input type="checkbox"/>	
EXCALIBUR Greenfleshing			35 x 3,0 mm <input type="checkbox"/>	
EA Greenfleshing				35 x 4,0 mm <input type="checkbox"/>

COMMENT

Right-hand winding blades **RW** pcs

Left-hand winding blades **LW** pcs